

**EKOTEK NETWORK offers a complete range of cable ducts, grid ducts and concealed ducts.**

## cable ducts

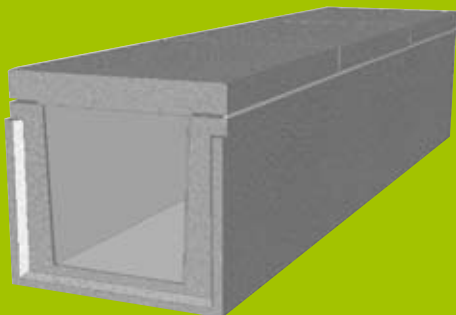
CONDUCT cable ducts are used to protect underground cables and pipes and to keep them always accessible. This way it is possible at all times to extend or modify the pipe-work without carrying out large scale underground modifications. The controlling and repairing of cable cuts or leakages in pipes can be done very fast and efficiently. When there is a leak with a possibility of soil contamination, the soil can thus be protected by placing the pipe in cable ducts. Because the ducts are produced with a high-quality self-compacting concrete, the trajectory is perfectly waterproof.

### types

- > internal diameters: of 300 mm up to 1500 mm
- > heights: between 300 mm and 1100 mm
- > with a concrete covering in the traffic classes B125kN and D400kN

### options

- > steel angle bars
- > collapsed sand-filled rubber profiles



## grid ducts

TOP, MAXI and SOLID grid ducts are used for draining hardened surfaces. Examples of this are private parking spaces, stock areas, industrial areas, workshops, transshipment areas, ports and airports, ...

### types

#### TOP grid ducts

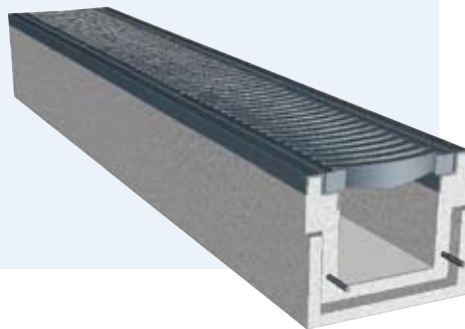
- > load class of A15kN to C250kN
- > only available with an internal width of 100 mm
- > non-screwed patented cover grid fixing

#### MAXI grid ducts

- > traffic class D400kN, E600kN and F900kN
- > internal width: 100, 150, 200 and 300 mm
- > non-screwed patented cover grid fixing

#### SOLID grid ducts

- > self-supporting elements for extremely heavy traffic loads
- > installation without lost formwork possible
- > length: of 750 up to 3000 mm
- > internal width: 300 up to 600 mm
- > internal height: 300 up to 600 mm

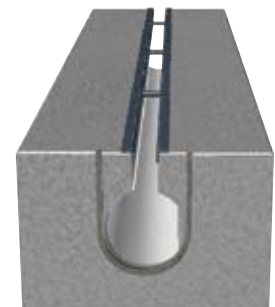


## concealed ducts

The FORTE concealed ducts are heavy reinforced concrete ducts and because they consist of concrete quality B45, they are extremely useful for areas with heavy (D400) to very heavy loads (F900). Examples of this are industry areas with freight, shabby or forklift movement, airports, army barracks, agriculture companies,...

### types

- > installation without lost formwork possible
- > length: of 2000 up to 4000 mm
- > internal diameter: 160, 300, 400, 500 and 600 mm
- > for traffic loads in all driving directions, elements with bridges in between available
- > linked mutually with:
  - collapsed sealing profile
  - muff/cotter
  - waterproof AQUAGLIP connection
- > sand catching element possible



**Built in concrete.  
Focused on water.**

The entire EKOTEK NETWORK team is ready to accompany you to find the most appropriate solution. Besides the standardized range of products, a tailor made solution can always be offered.