



Venturi flumes

EKOTEK NETWORK offers you various types of prefabricated concrete venturi flumes to measure the volume of waste water discharged.

These cable ducts are plug and play entities, with traditional reinforcement, made from self-compacting concrete. By application of this technique, the walls become very smooth and densified, making the elements perfectly water-proof.

The choice of the prefab venturi flumes ensures that on site you only have to focus on the installation and connection. On demand, besides the production of elements we also provide transportation services to the site.

types

The manufactured venturi flumes are completely in conformity with the Vlare regulation and have a capacity of 30 up to 7200 m³/h.

We distinguish 2 types with each time another subdivision depending on the flow:

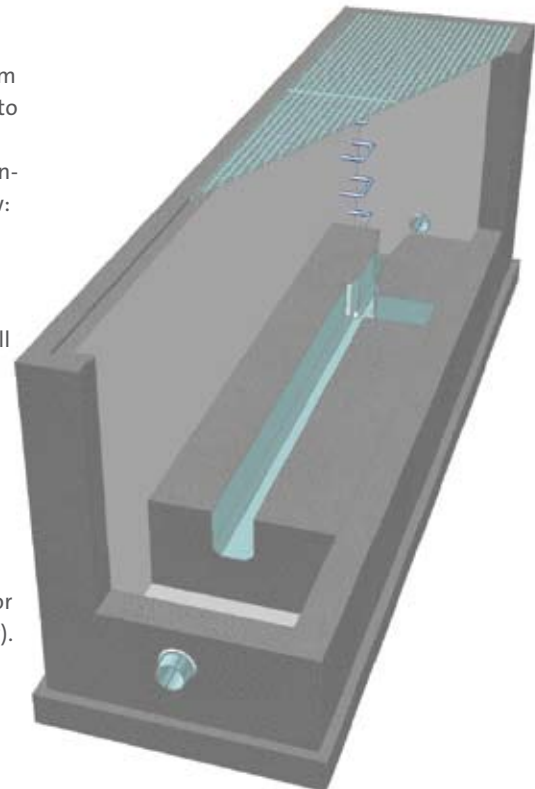
Flumes with rectangular reduction of area

With right located lateral measuring well (in the flow direction).

Flumes with parabolic reduction of area

With left located lateral measuring well (in the flow direction).

For the measurement of flows with an accuracy of maximum 1% of end value for a measuring range of 1:100 (rangeability).



construction

In the bottom of the tank a venturi flume and tank is installed, which are polyester reinforced with glass fiber and completed with a flow profile. On demand a 316 type inox can also be used instead of polyester.

The tank remains open up to the surface level and can be covered with galvanized wire-floor or with an assembled multiple part aluminum cover.

This way the tank remains always optimally available for necessary inspections and measurements. Due to the use of HSR cement, the concrete case is resistant against the influence of aggressive substances. The tanks are manufactured from one piece to be able to guarantee the largest dimensional stability. On top of that necessary lifting measures have been introduced to guarantee a simple placement on site.

The entire EKOTEK NETWORK team is ready to accompany you to find the most appropriate venturi measuring drain. Besides the standardized range of products, a tailor made solution can always be offered.

**Built in concrete.
Focused on water.**